

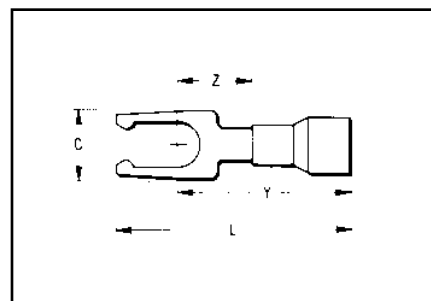
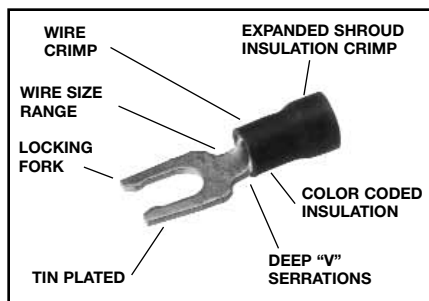
TYPES TP-LF AND BA-EL

VINYLUG™

Terminal —
Polyvinylchloride Insulated,
Locking Fork Tongue

600 Volts Max., 105° C Max.

Type TP-LF is a variation of the Type TP design and employs a locking fork tongue for fast installation and security.



Features and Benefits

- Locking fork tongue design.
 - ◇ Allows fast installation—screw only has to be loosened for termination.
- Internal configuration of the fork.
 - ◇ Prevents the terminal from coming off the screw without applying a pulling force.
- Locking fork is made from a copper alloy.
 - ◇ Permits many installations while maintaining proper spring retention of forks.

Catalog Number	Wire Range	Stud Size	Dimensions				Bulk Catalog Number •	Installation Tooling	Tape Mounted Catalog Number 2000/Reel	Installation Tooling	Wire Strip Length
			C	L Max.	Y Max.	Z Min.					
TP16-6LF	22-16 Max. Insul. Dia. Accom.: .145 Color Code: Red	4-6	.28	.80	.66	.23	BA16EL6	Plier Type: Y10-22	BA16EL6M	TFM with DFM3D-1 Die	13/64"
TP16-8LF		6-8	.31	.86	.69	.26	BA16EL8		BA16EL8M		
TP16-10LF		8-10	.41	.95	.75	.31	BA16EL10		BA16EL10M		
TP14-6LF	16-14 Max. Insul. Dia. Accom.: .180 Color Code: Blue	4-6	.28	.80	.66	.23	BA14EL6	Ratchet Tool: MR8-89-1, MR15	BA14EL6M	TFM with DFM2D-1 Die	13/64"
TP14-8LF		6-8	.31	.86	.69	.26	BA14EL8		BA14EL8M		
TP14-10LF		8-10	.41	.95	.75	.31	BA14EL10		BA14EL10M		
TP10-6LF	12-10 Max. Insul. Dia. Accom.: .260 Color Code: Yellow	4-6	.28	.95	.81	.26	BA10EL6	Ratchet Tool: MR8-89-1, M8ND with N10ET-23	* BA10EL6M	TFM with DFM1D5 Die	19/64"
TP10-8LF		6-8	.31	.98	.81	.26	BA10EL8		* BA10EL8M		
TP10-10LF		8-10	.41	1.07	.87	.31	BA10EL10		* BA10EL10M		

• UL Listed and CSA Certified with MR8-89-1 and MR15.
* 1000/Reel.

Blue highlighted items are industry standard and most frequently ordered.